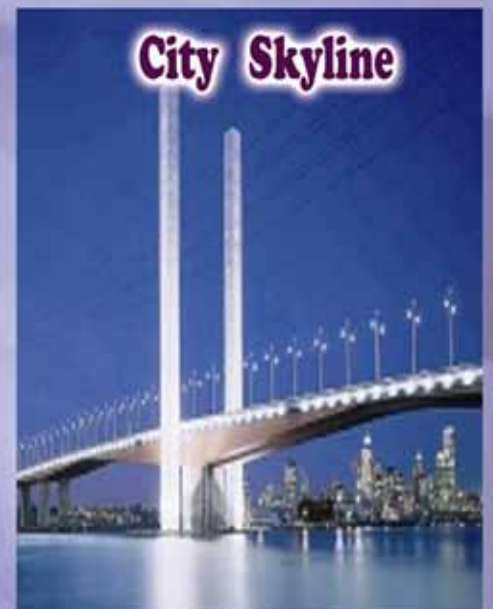
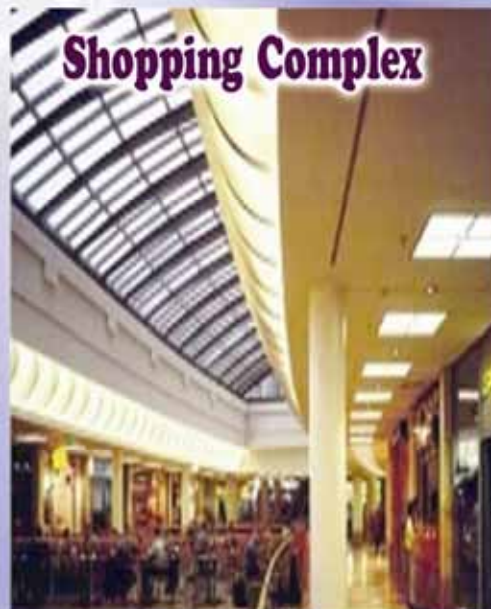


LED MODULE

US TECHNOLOGY

LED Modules create a whole new concept of modern lighting design. Light emitting diodes (LEDs) play a major role in people's lives, delivering ultra-reliable performance in everything from traffic signal lights to cellular phone and digital camera backlighting.

LED are manufactured using environmentally friendly materials. The superior life span, reliability, visibility, energy efficiency, and compactness of LED make them ideal for a wide range of applications.



Long Life

LED can last more than 50,000hrs For this reason, LEDs are ideal for hard-to-maintain fixtures such as Signage lighting and outdoor lighting.

Maintenance free

LEDs are highly rugged and can last more than 50,000hrs. It is encapsulated for harsh weather conditions and therefore, less maintenance as compared to neon and fluorescent lightings.

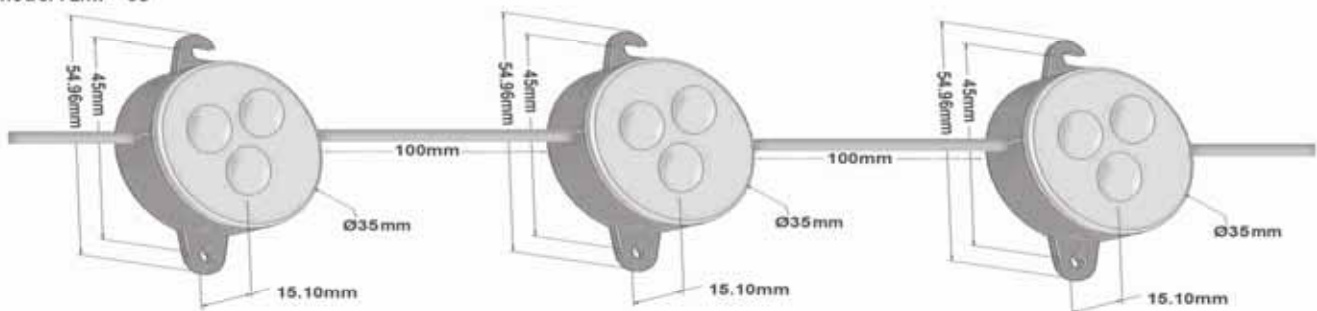
Energy Efficiency

LED can achieve up to 75% energy saving compared to incandescent lighting.

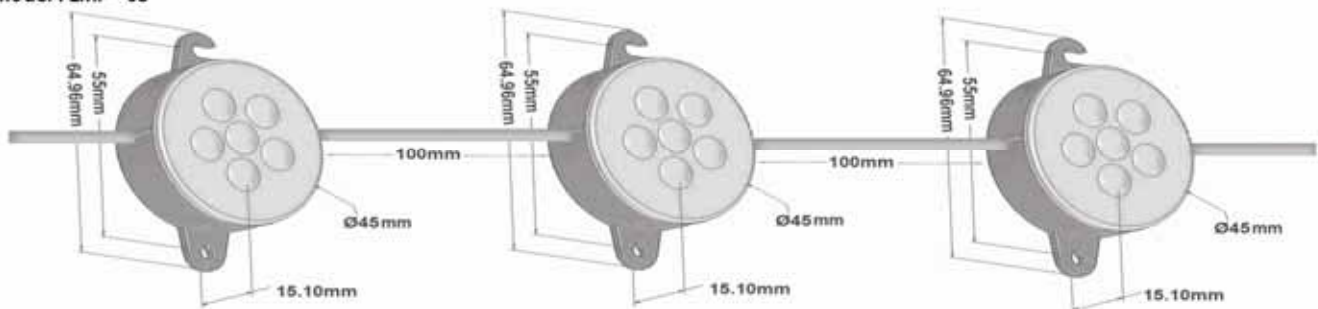




Model : LMP - 3S

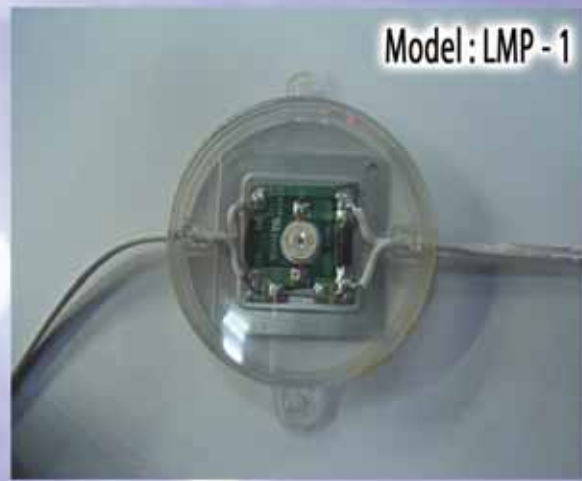


Model : LMP - 6S

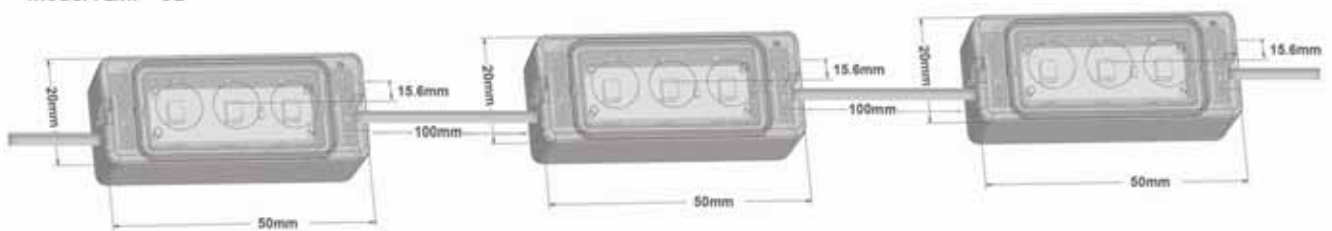


Specifications

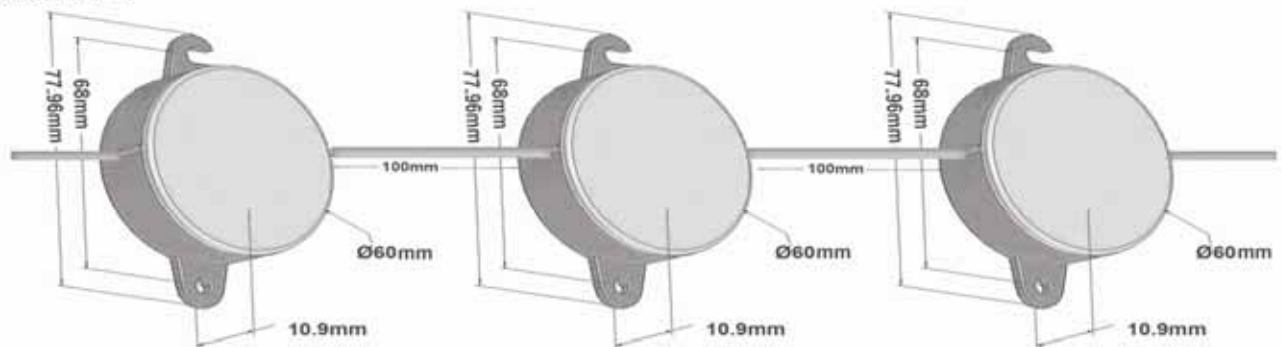
MODEL	LMP-3S	LMP-6S
Number of LED	3pcs	6pcs
Dimensions (mm)	W35 x H51 x L55	W45 x H15 x L65
Weight (g) w/o strings	13g	20g
Power	DC 12V, 0.3W (0.36W max)	DC 12V, 0.55W (0.72W max)
Max Cluster of Modules	50 units	
Standard No. of Unit/String (AWG20)	10 units	
Color	White, Warm White, Red, Green, Blue	
Operating Temp (°C)	-20°C to 70°C	
Storage Temp (°C)	-25°C to 85°C	
LED Life Expectancy	50,000hrs	
Water Resistant	Yes	



Model : LMP - 3L



Model : LMP - 1



Specifications

MODEL	LMP-3L	LMP-1
Number of LED	3pcs	1pc
Dimensions (mm)	W20 x H15.6 x L50	W60 x H11 x L78
Weight (g) w/o strings	14g	28g
Power	DC 12V, 0.3W (3.6W max)	DC 12V, 1W (2.1W max)
Max Cluster of Modules	50 units	
Standard No. of Unit/String (AWG20)	10 units	
Color	White, Warm White, Red, Green, Blue	
Operating Temp (°C)	-20°C to 70°C	
Storage Temp (°C)	-25°C to 85°C	
LED Life Expectancy	50,000hrs	
Water Resistant	Yes	

LED DRIVER

US TECHNOLOGY

Designed using state-of-the-art technology, LEO Electronic LED Drivers for low voltage LED lighting systems supports a broad range of indoor and outdoor sign and contour lighting applications.



MODEL	VA-12030M	VA-12050M
INPUT:		
Input Voltage	170~250VAC	88~264VAC
Input Current	0.34A max	0.9A max
Frequency	50/60Hz	50/60Hz
Power Factor	Normal	Normal
Efficiency	75%	75%
OUTPUT:		
DC Voltage	12V	12V
DC Current	2.5A	4.2A
Voltage Tolerance	+/-0.5V	+/-0.5V
Power	30W	50W
Over Voltage Protection	Yes	Yes
Over Load Protection	120% Max	120% Max
Over Current Protection	120% Max	120% Max
Operating Temperature	0~45°C	0~45°C
Storage Temperature	0~80°C	0~80°C
EMC	CE Mark	CE Mark
Environmental Rating:	IP65	IP65
Dimension:	L200 x W50 x H20 mm	L145 x W75 x H39 mm



LEO Industries (S) Pte Ltd
 120 Lower Delta Road, #03-11,
 Cendex Centre Singapore 169208
 Tel: (65) 6272 1818 Fax: (65) 6278 2111
 Email: info@leoindustries.com
 Website: www.leoindustries.com

Distributor